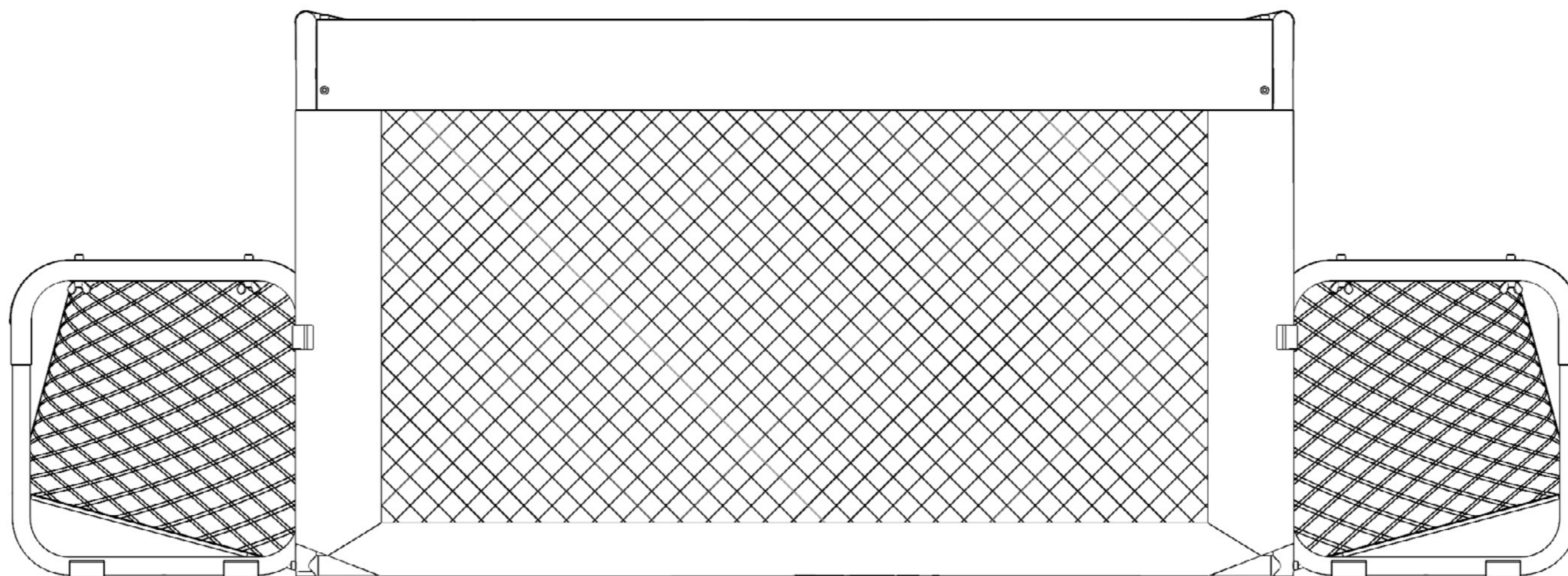


SUBSOCCER[®]

Assembly Instructions



SUBSOCCER 3

Product description

SUBSOCCER® 3 withstands heavy use and different weather conditions. Recommended for indoor and outdoor use. Two persons are required to assemble the game. The product is delivered in parts.

Product includes

Subsoccer 3: two chairs with nets, table with nets and gaming mat.

Official game ball

Assembly instructions and safety manual

Needed tools for assembly

NOTE! Ball pump is not included in the package

Product size

Table: length: 1241mm, width: 814 mm, height: 709.5 mm. Weight: 11 kg

Chair: length: 380 mm, width: 691 mm, height: 395 mm. Weight: 7,5 kg

Complete product: length: 1951 mm, width: 814 mm, height: 709.5 mm

The floor area required for the game: 2000 mm x 850 mm

Total weight of the game: 25 kg

Materials and care instructions

Seat plate / table's top rail: Steel, polyester based powder coating

Pipe structure: furniture steel pipe, polyester based powder coating

Brackets: injection molded polypropylene, stainless steel

Fabrics and nets: polyester, polyamide, polypropylene

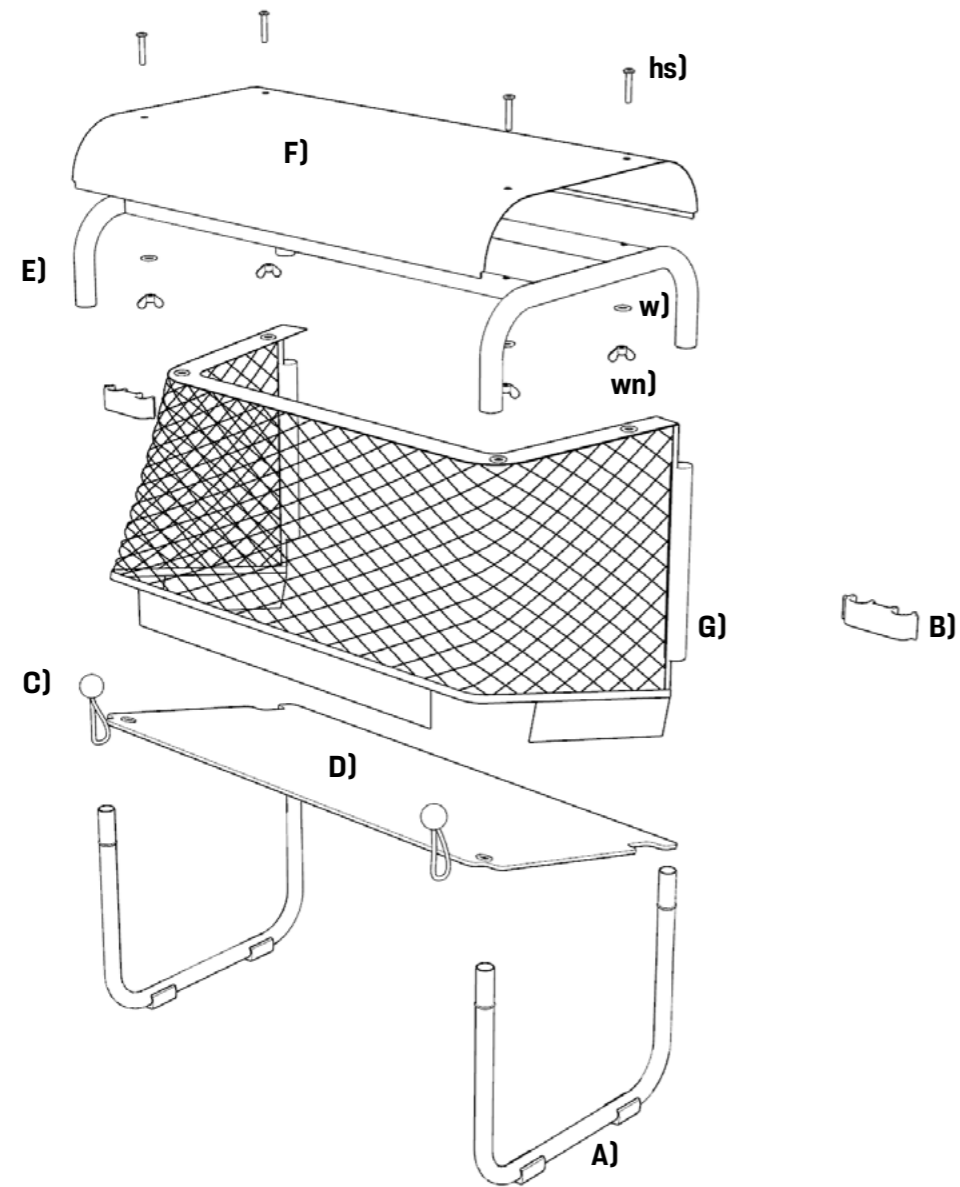
Gaming mat: Printed polycarbonate

For your maximum durability we suggest you store your Subsoccer 3 inside during rainy weather and at night.

Regular cleaning and weather protection are the best ways to extend the life of your product. Cleaning with a mild detergent solution. Dry with a clean, dry cloth.

PLEASE RETAIN THIS INFORMATION FOR FUTURE REFERENCE!

CHAIR - PART LIST



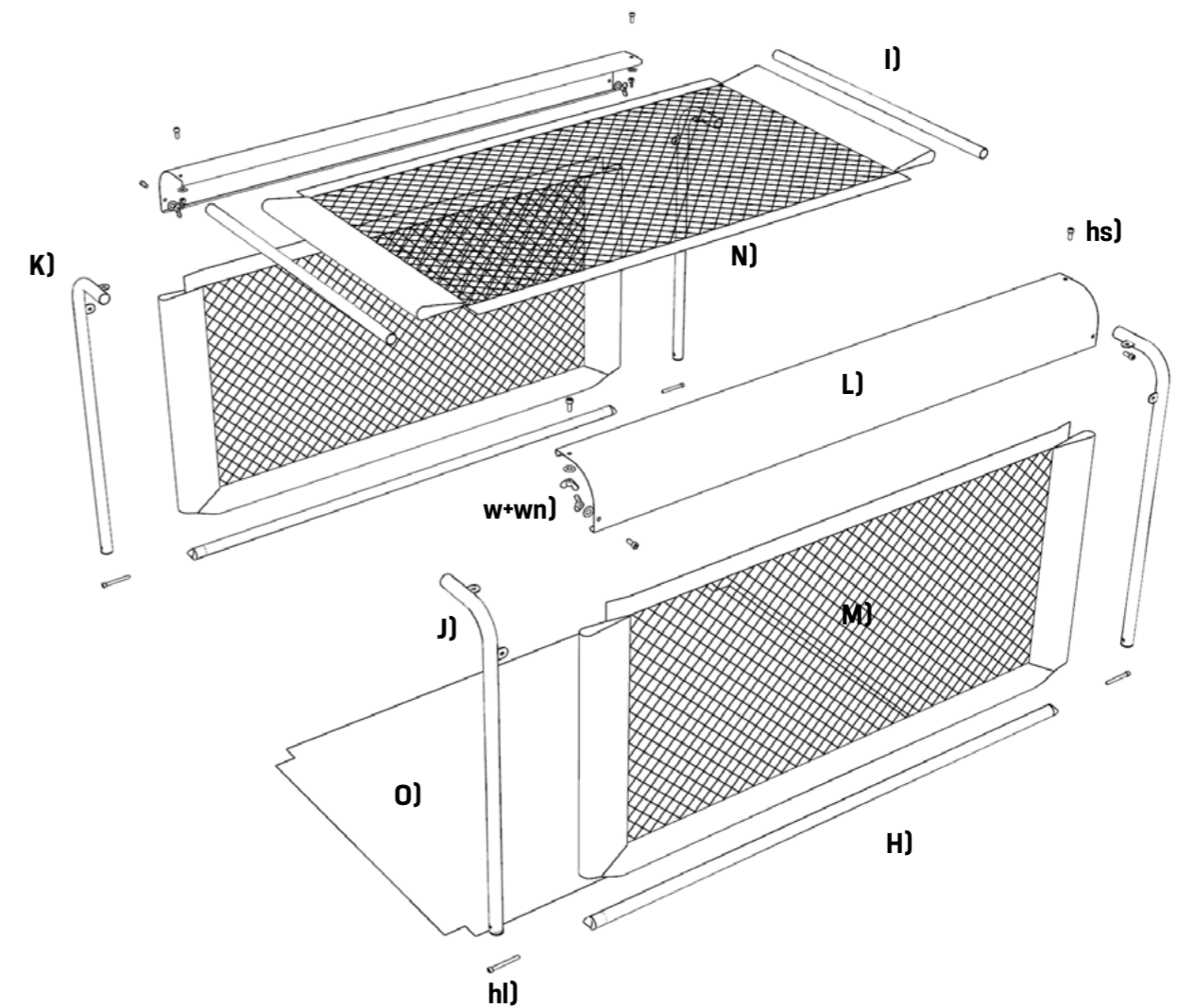
CHAIR, 2 pieces

- A) 4 x Chair leg with a glides
- B) 4 x Attachment clips for chairs and table
- C) 4 x Binding bands
- D) 2 x Ball return plate
- E) 2 x Chair support structure
- F) 2 x Seat plate
- G) 2 x Net

Brackets for chairs and table

- hs) 8 x Hexagon socket head cap screw, short
- hl) 12 x Hexagon socket head cap screw, long
- w) 16 x Washer
- wn) 16 x Wing nut

TABLE - PART LIST



TABLE, 1 piece

- H) 2 x Down pipe with a tube connectors
- I) 2 x Horizontal support pipe
- J) 2 x Table leg, right handed with an end plugs
- K) 2 x Table leg, left handed with an end plugs
- L) 2 x Curved main rail
- M) 2 x Side net with the Subsoccer logo
- N) 1 x Top net
- O) 1 x Gaming mat
- + Allen key
- + Ball

TABLE SIDE X 2

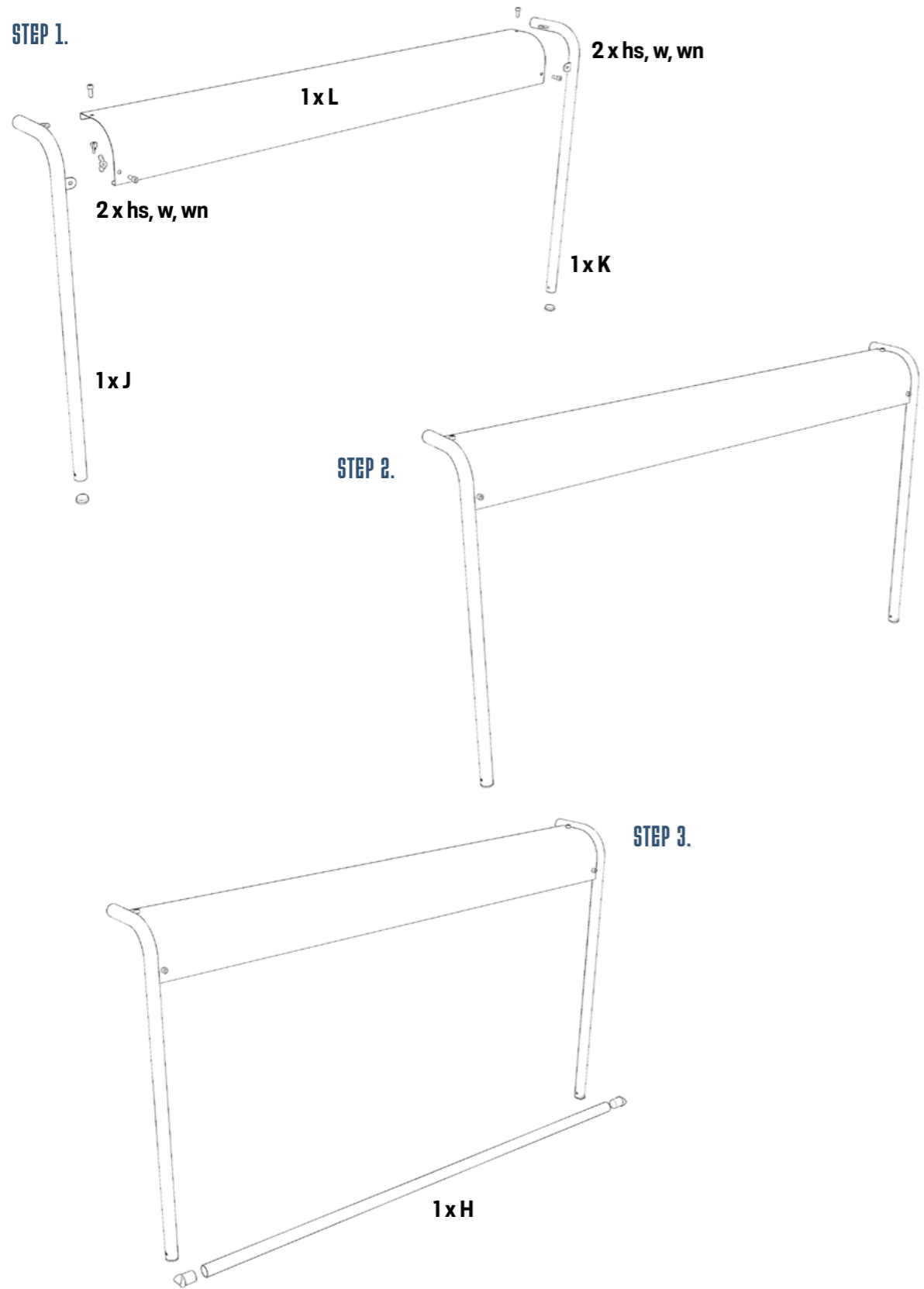


TABLE SIDE X 2

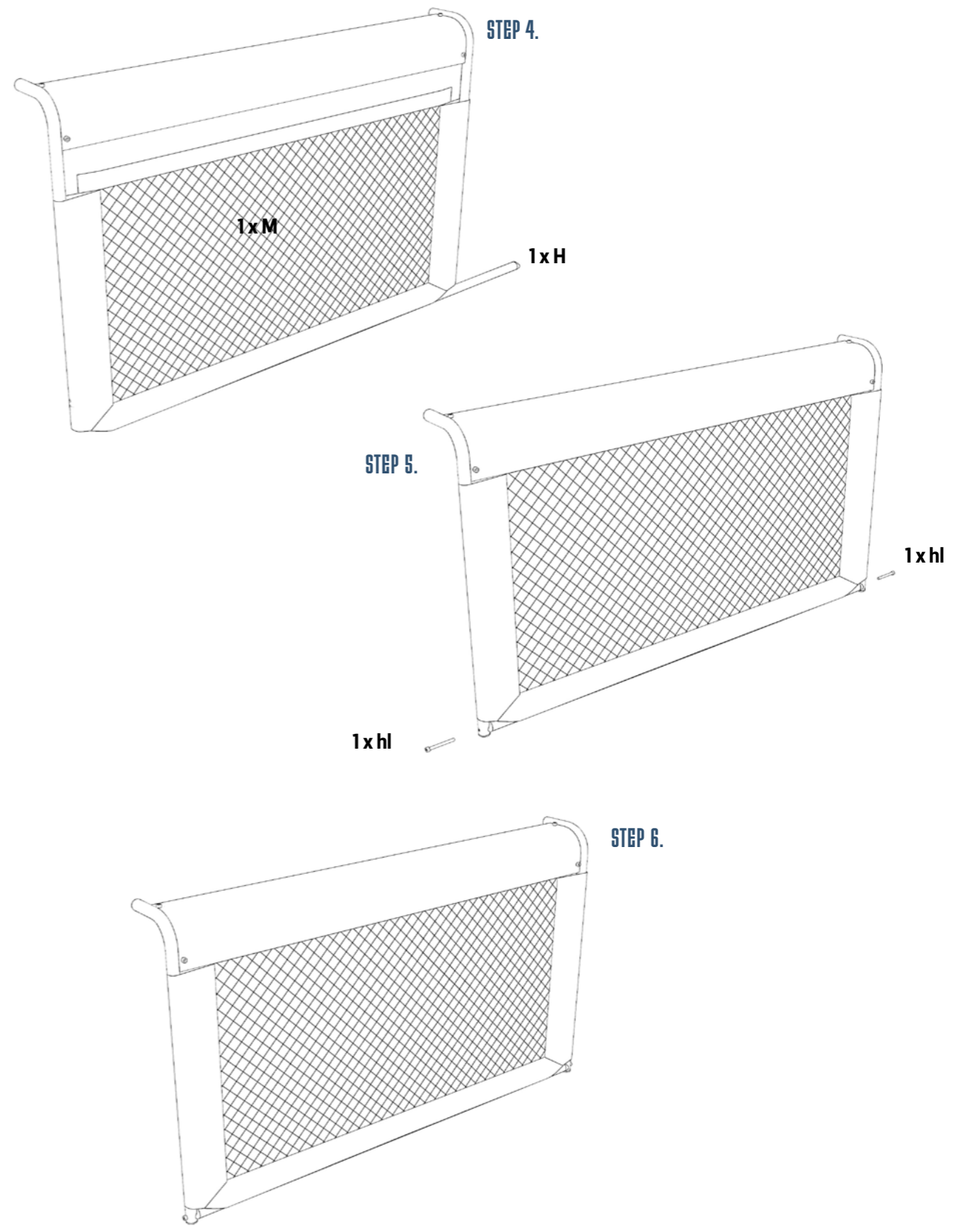
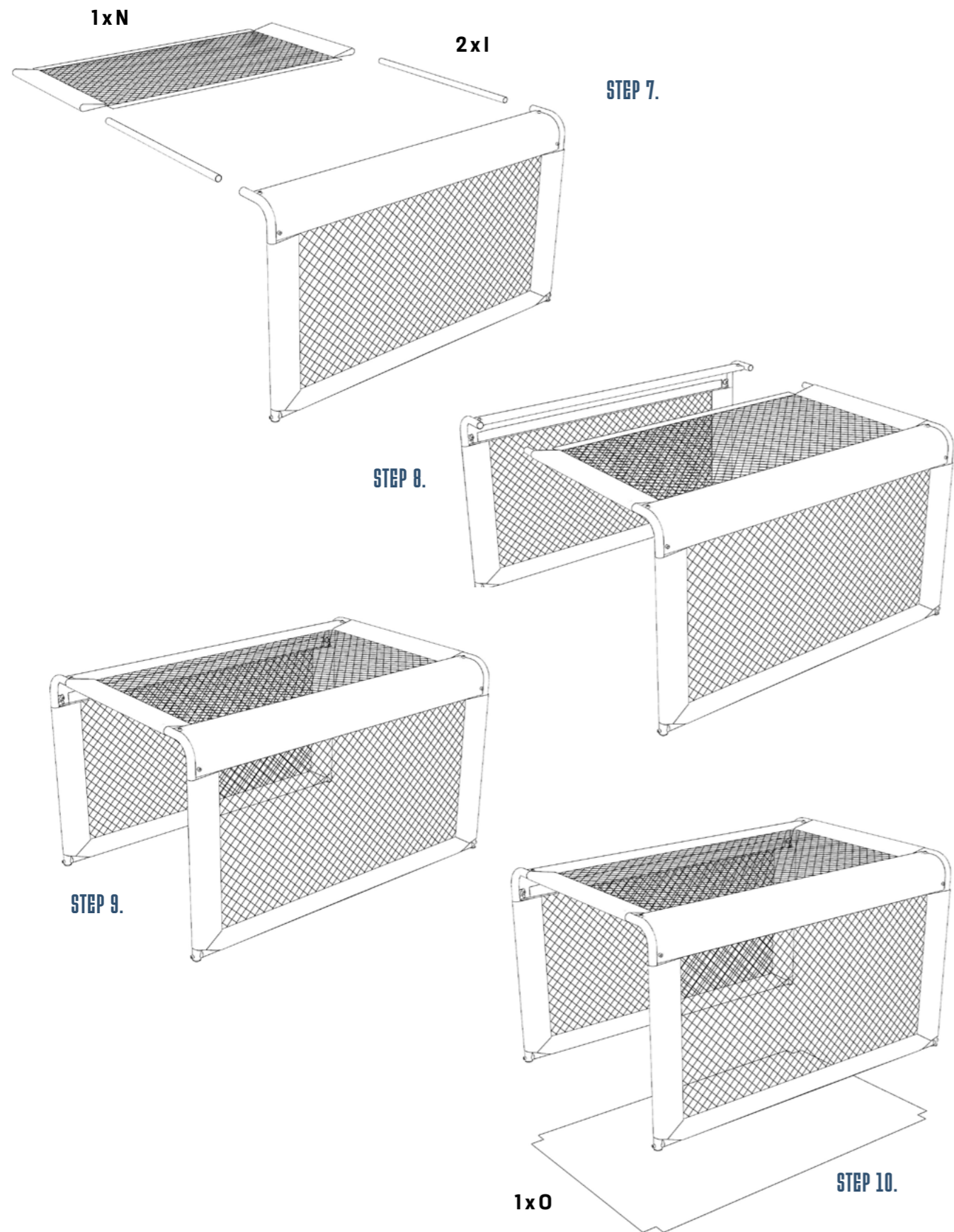
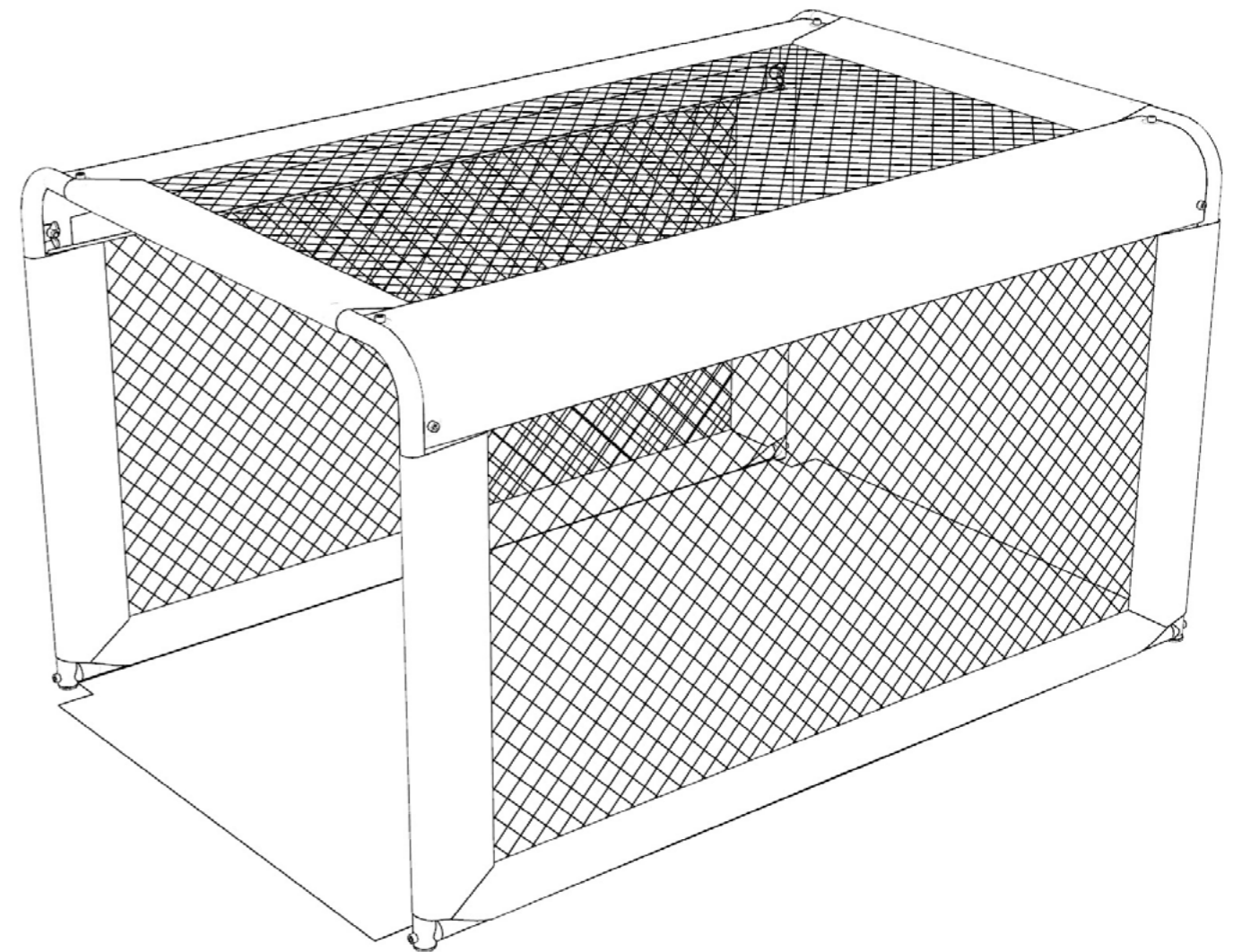


TABLE TOP AND MAT

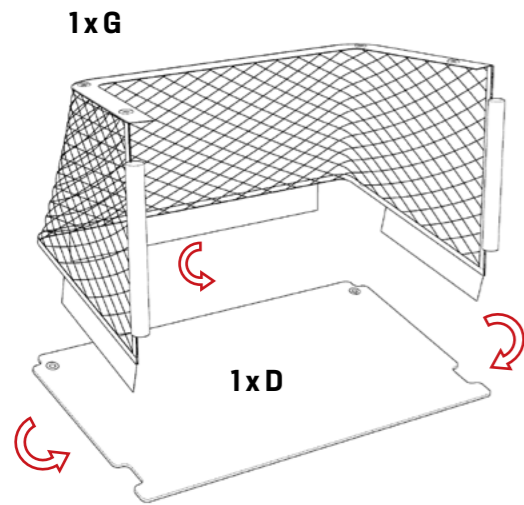


COMPLETE TABLE

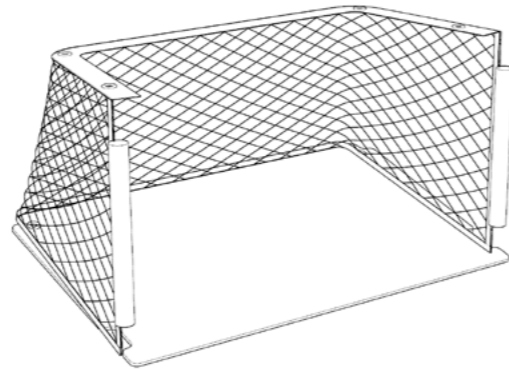


CHAIR X 2

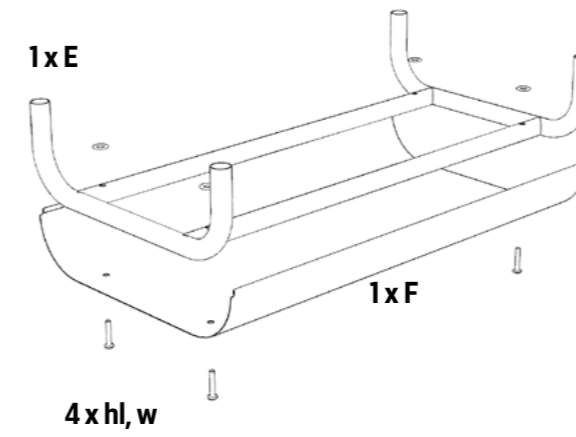
STEP 1.



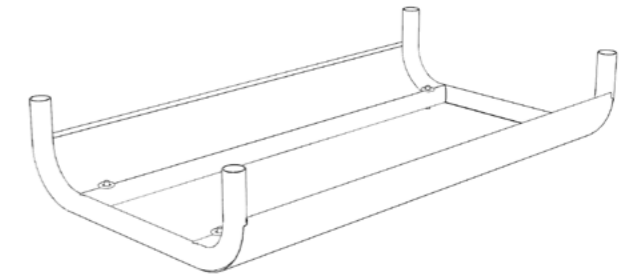
STEP 2.



STEP 3.

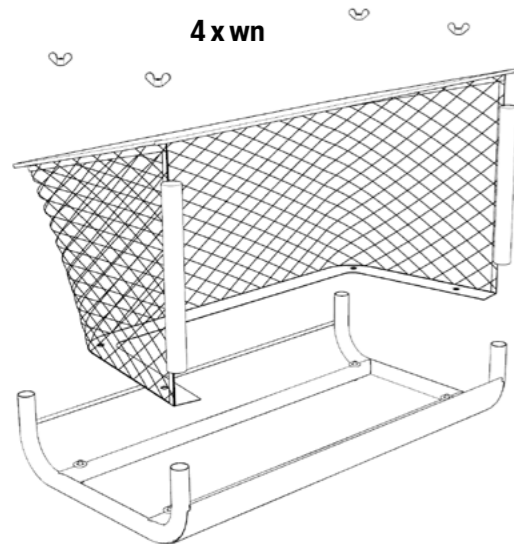


STEP 4.

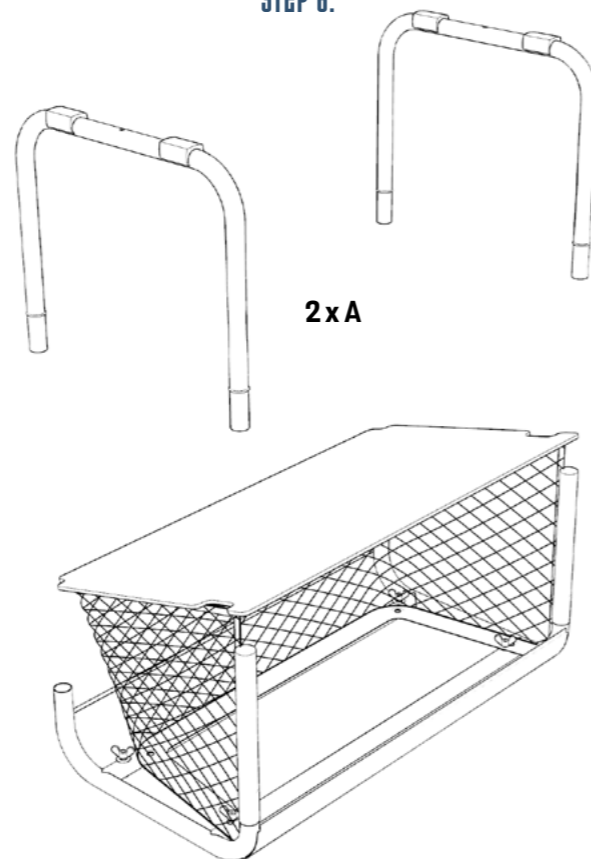


COMPLETE CHAIR

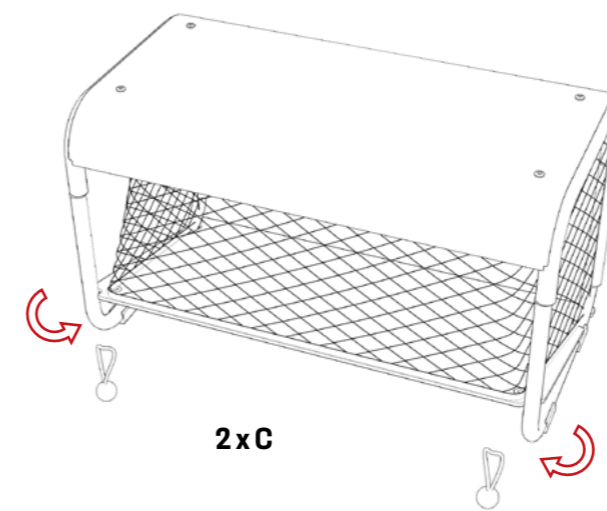
STEP 5.



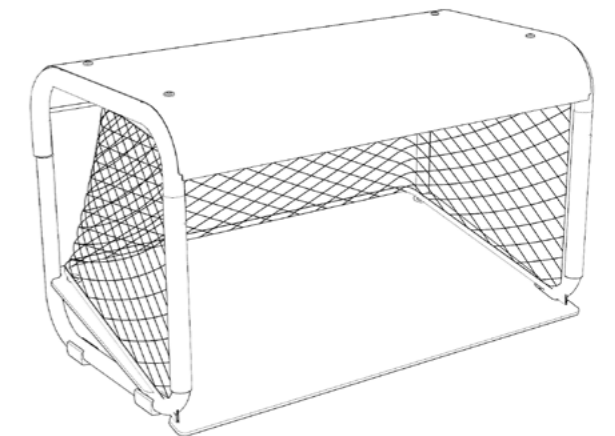
STEP 6.



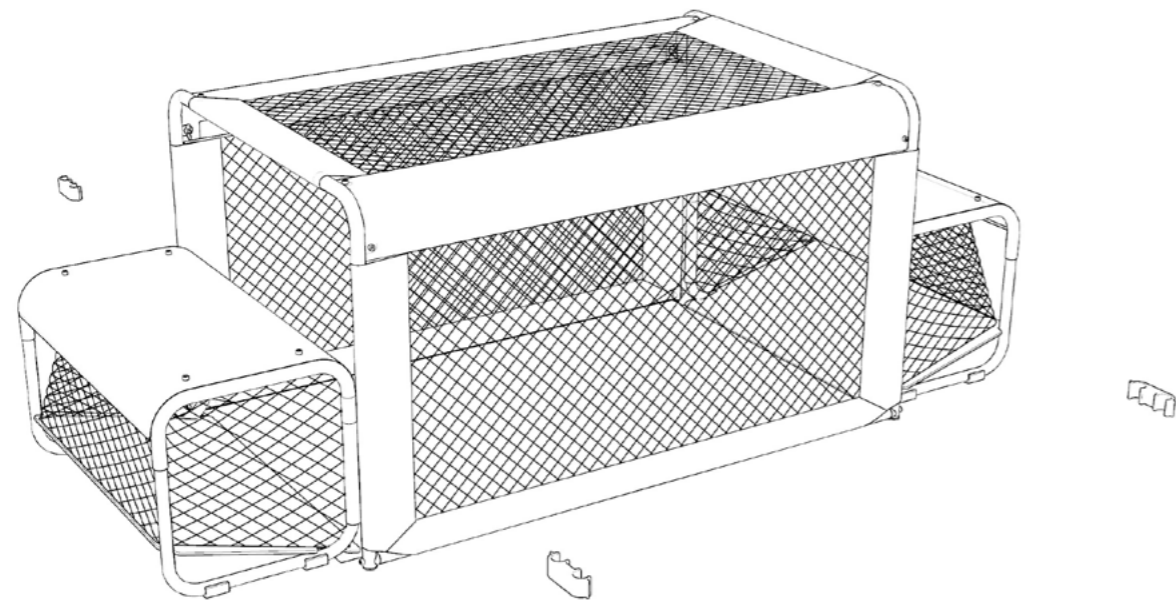
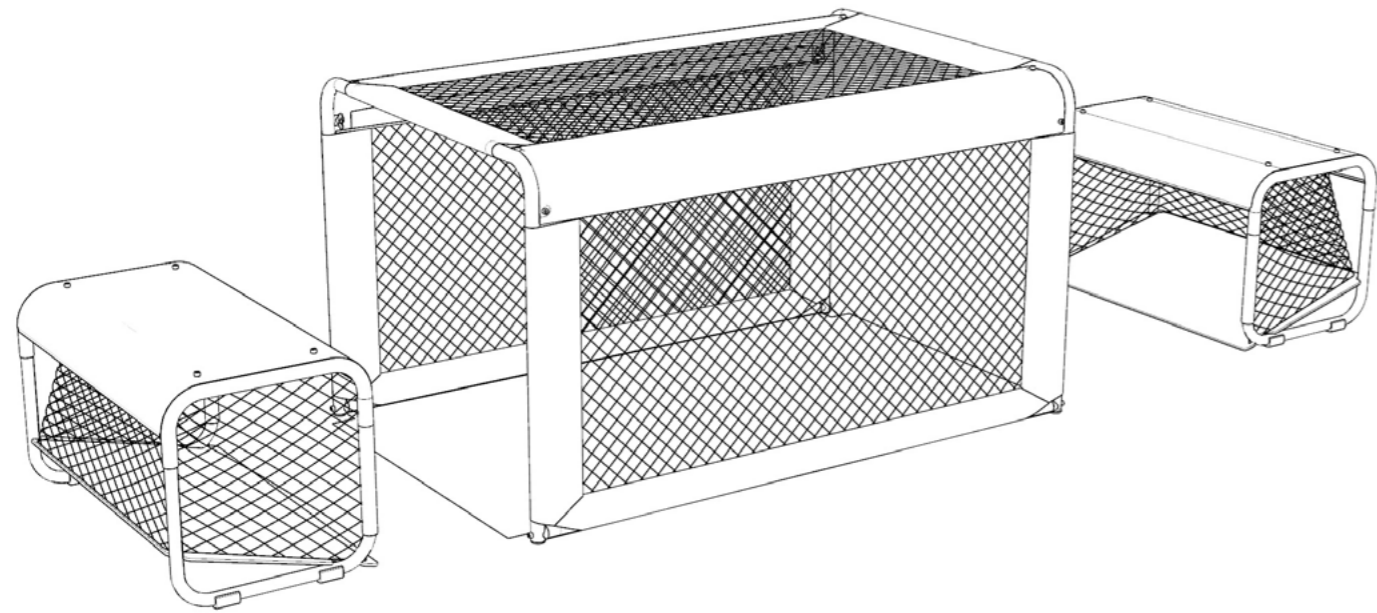
STEP 7.



STEP 8.

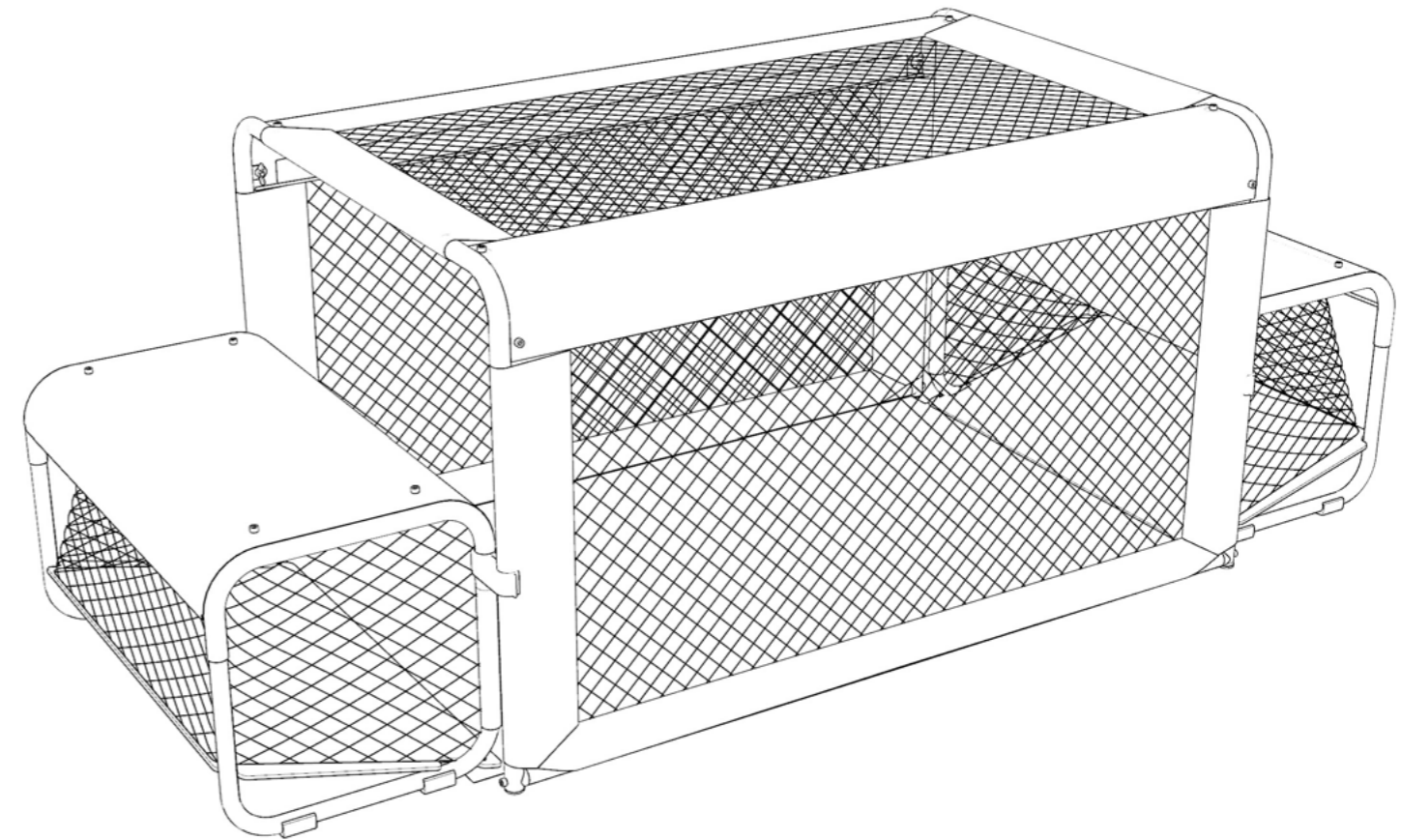


ATTACHMENT

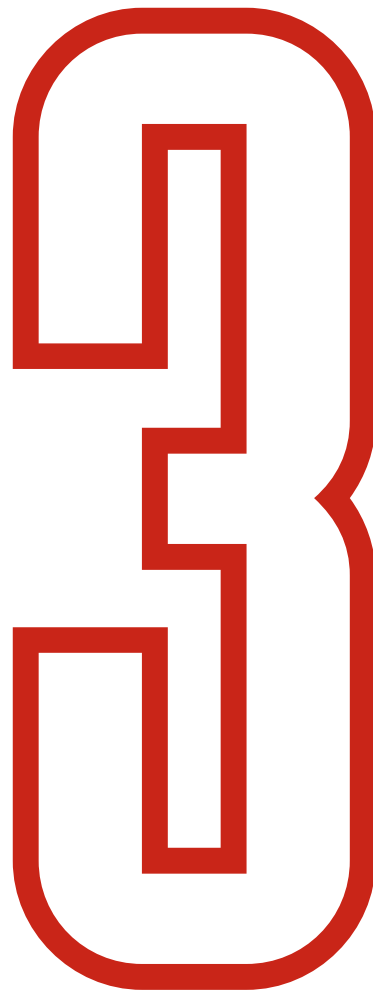
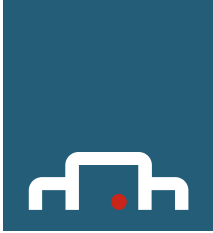


4xB

COMPLETE SUBSOCCER 3



PLEASE RETAIN THIS INFORMATION FOR FUTURE REFERENCE!



SUBSOCCER® products is designed in Finland by 4 Feet Under Ltd.
SUBSOCCER® is a registered trademark of 4 Feet Under Ltd.
SUBSOCCER® game is PATENTED.
Made in China

www.subsoccer.com

Copyright © 2023, 4 Feet Under Ltd.